

# TELECOM RANGE



**Model No. TEL 200F** (12 Volts, 199 Ah at 8 hour Rate to 1.75 vpc)  
Valve Regulated Lead acid Battery for communications  
standby power applications

**Innovative Features**

- ◆ Completely maintenance free, sealed construction eliminates the need for watering
- ◆ Fully tank formed plates
- ◆ Analytical Grade electrolyte
- ◆ Spill proof / leak proof
- ◆ Valve regulated Max internal pressure 2.5 psi
- ◆ Multi-position usage
- ◆ ABS Case & Cover Flame Retardant meets UL 94 VO requirements
- ◆ Low self discharge
- ◆ FAA and IATA approved as non-hazardous
- ◆ Designed to comply with Bellcore TR-NWT-000766, Bellcore TR-NWT-000909, ANSI T1.330-1997, Telcordia SR 4228, British Standard BS 6290 Part 4, IEC 896 Part 2, Eurobat, DIN 43534
- ◆ UL Recognized, ISO 9001

**Ampere Hour Capacity at 77°F (25°C) to 1.75 vpc**

Discharge Time in Hrs	1	2	3	4	5	6	7	8	10
Ampere Hour Capacity	135	157	172	182	189	192	196	199	204

Website: [www.hazebattery.com/usa](http://www.hazebattery.com/usa)  
E mail : [customerservice@hazebattery.com](mailto:customerservice@hazebattery.com)  
Ph: 952-746-7528 Fax: 952-746-7527



AGM Range  
Sealed Lead Acid 12 Volt Bloc

**Specifications**

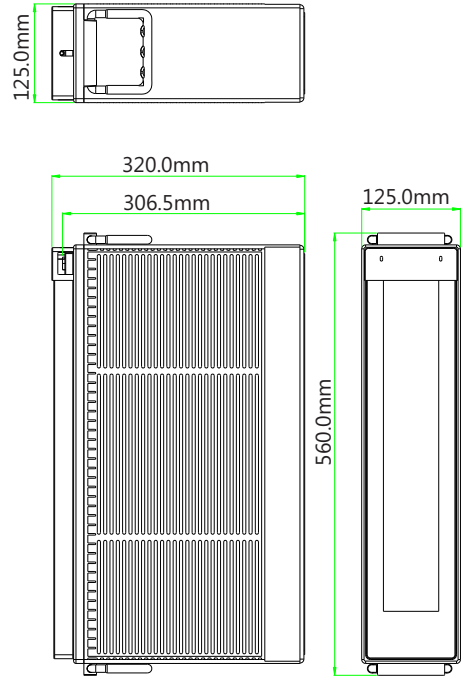
Nominal Voltage		12V	
Nominal Capacity		215 Ah	C20
Dimensions	Total Height (Inc terminals)	12.60 inches	320 mm
	Length	22.05 inches	560 mm
	Width	4.92 inches	125 mm
	Weight	128 lbs	57.9 Kg

**Characteristics**

Capacity 77°F (25°C) to 1.75 vpc	20 hour rate	215 Ah
	10 hour rate	204 Ah
	5 hour rate	189 Ah
	2 hour rate	157 Ah
	1 hour rate	135 Ah
Capacity correction for temperature Variations (C20)	Internal Resistance	2.9 mOhms
	Impedance	1700s
	104°F (40°C)	102%
	68°F (20°C)	100%
Self Discharge 77°F (25°C)	32°F (0°C)	85%
	5°F (-15°C)	65%
	Capacity after 1 month storage	98%
Max Charge Current 68°F (20°C)	Capacity after 3 months storage	94%
	Capacity after 6 months storage	86%
Terminal	Standard	18mm Insert M8 thread
Charging (Constant Voltage)	Cyclic	2.40 vpc (59 -77°F)
	Float	2.27 - 2.30 vpc (59 -77°F)



**Haze Battery Company Ltd**



End V per		Ampere Hour at 77°F (25°C)											
Cell	1 hr	2 hr	3 hr	4 hr	5 hr	6 hr	7 hr	8 hr	10 hr	12 hr	20 hr	24 hr	
1.85	119	138	152	160	166	169	172	175	179	183	189	192	
1.80	127	148	162	171	177	181	184	187	191	195	202	205	
1.75	135	157	172	182	189	192	196	199	204	207	215	218	
1.70	137	160	175	185	191	195	199	202	207	211	218	221	

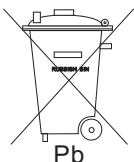
End V per		Constant Amps Discharge - Amps at 77°F (25°C)											
Cell	1 hr	2 hr	3 hr	4 hr	5 hr	6 hr	7 hr	8 hr	10 hr	12 hr	20 hr	24 hr	
1.85	119.00	69.10	50.60	40.10	33.20	28.20	24.60	21.80	17.90	15.20	9.46	7.99	
1.80	127.00	73.90	54.00	42.80	35.40	30.10	26.30	23.20	19.10	16.20	10.10	8.53	
1.75	135.00	78.60	57.50	45.50	37.70	32.10	28.00	24.70	20.40	17.30	10.80	9.08	
1.70	137.00	79.80	58.30	46.20	38.30	32.60	28.40	25.10	20.70	17.50	10.90	9.22	

**Specifications**

Design Life	12 Years
Operating Temperature	-4 °F to 122 °F
Grid alloy	Calcium / Tin lead alloy
Plates	Flat Pasted
Separator	Absorbant Glass Mat
Active material	Very high purity lead
Charge Voltage	Float 2.27 - 2.30 VPC @77 °F Cyclic 2.35 @77 °F Max. 2.4 VPC Max ripple 0.05C (A)
Electrolyte	Sulphuric acid Analytical grade purity
Venting Valve	EPDM Rubber 1.5 to 2 psi (10.5 - 14 KPa) release pressure. Resealing at 1 psi (7 KPa)
Torque setting	The recommended torque value for all types is 44-62 inch-pounds

**Terminal Details**

Insert are made from brass with copper, nickel and silver plating giving excellent mechanical, electrical and corrosion resistant properties.



Haze Battery Company keenly encourages environmental awareness; PLEASE follow guidelines for the recycling /disposal of lead.

