

HZS12-26 Valve Regulated Lead Acid Battery  
5 year design life for stand by power applications.  
12 Volts 26Ah

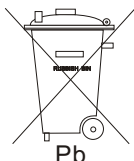
### Innovative Features

- ♦ Complete maintenance free, sealed construction eliminates the need for watering;
- ♦ Fully tank formed plates
- ♦ Analytical Grade electrolyte
- ♦ Spill proof / leak proof
- ♦ Valve regulated Max internal pressure 2.5 psi
- ♦ Multi-position usage
- ♦ ABS case and cover VO on request
- ♦ Low self discharge
- ♦ FAA and IATA approved as non-hazardous
- ♦ Built to comply with IEC 896-2, DIN 43534, BS 6290 OT4, Eurobat



### Specifications

Nominal Voltage	12 Volts
Nominal Capacity	26Ah (C20 @ 20 °C)
Design Life	5 Years
Operating Temperature	-20 °C to 50 °C
Grid alloy	Calcium / Tin lead alloy
Plates	Flat Pasted
Separator	Absorbant Glass Mat
Active material	Very high purity lead
Case and cover	ABS (VO on request)
Charge Voltage	Float 2.25 - 2.30 VPC @25 °C Cycling 2.35 @25 °C Max. 2.4 VPC Max ripple 0.05C (A)
Electrolyte	Sulphuric acid Analytical grade purity
Venting Valve	EPDM Rubber 1.5 to 2 psi (10.5 - 14 KPa) release pressure. Resealing at 1 psi (7 KPa)
Terminal	Insert 12mm Dia M5 thread. Epoxy sealed by extended mechanical paths
Torque setting	The recommended torque value for all types is 5-7 Nm
Cables	Connectors, cables, terminal covers on request.



Haze Battery Company keenly encourages environmental awareness; PLEASE follow guidelines for the recycling /disposal of lead.

Website: [www.hazebattery.com](http://www.hazebattery.com)  
E mail : [sales@hazebattery.com](mailto:sales@hazebattery.com)

**12V  
AGM**

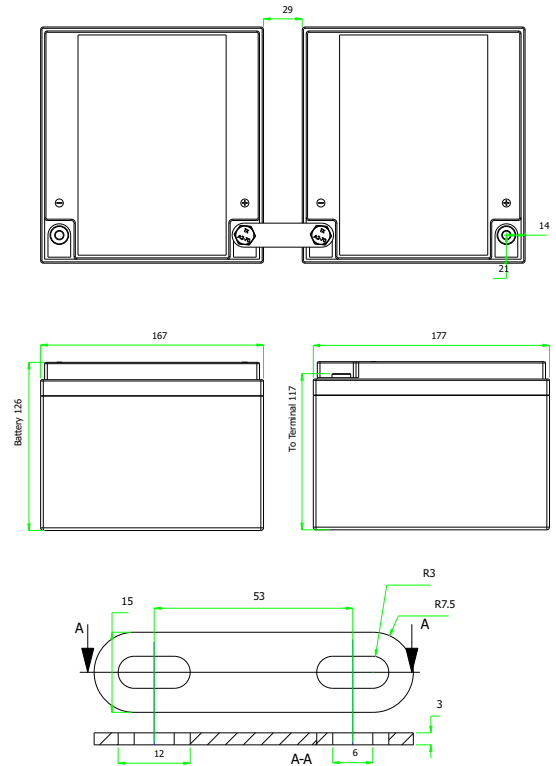
**Sealed Lead Acid 12 Volt Bloc AGM Range  
PRODUCT SHEET HZB12-26F**

## Specifications

Nominal Voltage		12V	
Nominal Capacity		26 Ah	
Dimensions	Total Height (Inc. terminals)	126 mm	4.96 inches
	Length	176 mm	6.93 inches
	Width	166 mm	6.54 inches
	Weight	9.2 Kg	20.33 lbs

## Characteristics

Capacity 20 °C (68°F) To 1.7 volts	20 hour rate	27.0 Ah
	10 hour rate	24.1 Ah
	5 hour rate	22.9 Ah
	1 hour rate	17.2 Ah
	15 min rate	12.5 Ah
	Internal Resistance	11 mOhms
Capacity correction for Temperature Variations (C20)	40 °C (104°F)	102%
	20 °C (68°F)	100%
	0 °C (32°F)	85%
	-15 °C (5 °F)	65%
Self-Discharge 20 °C (68°F)	Capacity after 1 months storage	98%
	Capacity after 3 months storage	94%
	Capacity after 6 months storage	86%
Short Circuit Current 20 °C (68°F)	900	
Terminal	Standard	12mm Insert M5 thread
	Optional	Cu Flag
Charging (Constant Voltage)	Cyclic	2.35 - 2.40 VPC (20-25°C)
	Float	2.27 - 2.30 VPC (15-25 °C)



## Constant Power Discharge - Watts per Cell @20°C

End V per Cell	5M	10M	15M	20M	25M	30M	35M	40M	45M	60M	90M	2 hr	3 hr	4 hr
1.85	142	104	83.6	69.7	59.9	52.7	47.1	42.4	38.8	31.2	22.7	18.3	13.6	10.7
1.80	149	109	86.3	70.9	61.1	53.7	48.0	43.1	39.5	31.6	22.9	18.3	13.6	10.7
1.75	155	113	88.6	72.5	62.5	54.8	48.9	44.0	40.2	32.2	23.1	18.4	13.7	10.7
1.70	160	116	91.2	74.0	63.4	55.7	49.6	44.7	40.8	32.6	23.4	18.6	13.7	10.8
1.65	167	119	92.4	75.1	64.2	56.5	50.2	45.3	41.4	33.0	23.5	18.7	13.8	-
1.60	174	123	94.5	76.0	64.8	57.1	50.7	45.7	41.8	33.2	23.7	18.8	14.0	-

## Constant Amps Discharge - Amps @20°C

End V per Cell	5M	10M	15M	20M	25M	30M	35M	40M	45M	60M	90M	2 hr	3 hr	4 hr	5 hr	8 hr	10 hr	12 hr	20 hr
1.85	76.5	55.9	44.6	37.0	31.8	27.9	24.8	22.3	20.4	16.3	11.8	9.42	6.97	5.45	4.49	2.78	2.28	1.95	1.30
1.80	81.5	59.0	46.7	38.2	32.8	28.7	25.5	22.9	20.9	16.6	12.0	9.51	7.02	5.48	4.51	2.86	2.34	1.99	1.33
1.75	85.5	62.0	48.4	39.3	33.7	29.4	26.1	23.4	21.3	17.0	12.1	9.60	7.06	5.51	4.54	2.89	2.36	2.01	1.33
1.70	88.9	64.2	50.2	40.5	34.4	30.1	26.6	23.9	21.8	17.2	12.3	9.68	7.11	5.56	4.58	2.93	2.41	2.04	1.35
1.65	93.6	65.9	50.9	41.1	35.0	30.6	27.1	24.3	22.1	17.5	12.3	9.76	7.17	-	-	-	-	-	-
1.60	97.9	68.5	52.3	41.7	35.4	31.0	27.4	24.5	22.4	17.6	12.5	9.83	7.25	-	-	-	-	-	-

## Ampere Hour @20°C

End V per Cell	2 hr	3 hr	4 hr	5 hr	8 hr	10 hr	12 hr	20 hr
1.85	18.8	20.9	21.8	22.4	22.2	22.8	23.4	26.0
1.80	19.0	21.1	21.9	22.6	22.9	23.4	23.9	26.7
1.75	19.2	21.2	22.0	22.7	23.1	23.6	24.1	26.7
1.70	19.4	21.3	22.3	22.9	23.4	24.1	24.5	27.0
1.65	19.5	21.5	-	-	-	-	-	-
1.60	19.7	21.8	-	-	-	-	-	-

